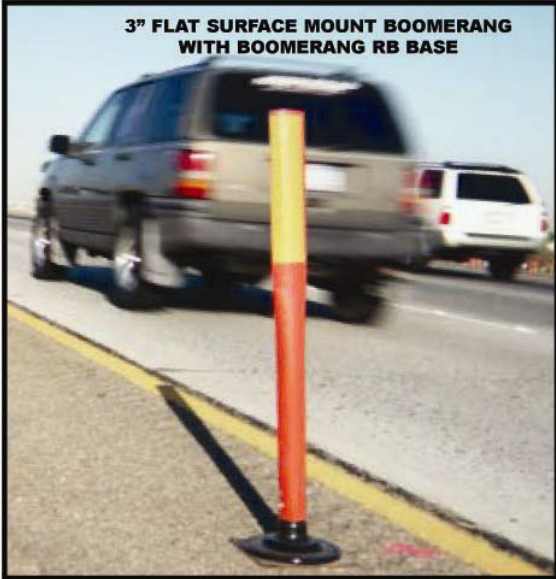




www.hyviz.com info@hyviz.com  
PH. 973-478-1464 FAX 973-478-1943

**AASHTO/NTPEP CRASH TESTED. INNOVATIVE SURFACE MOUNT BASE IS DESIGNED FOR HIGH IMPACT WORK ZONES.**



3" FLAT SURFACE MOUNT BOOMERANG WITH BOOMERANG RB BASE



2.25" SURFACE MOUNT BOOMERANG WITH BOOMERANG RB BASE



THE BOOMERANG RB BASE IS THE MOST REBOUNDE TRAFFIC CONTROL PRODUCT ON THE MARKET TODAY.

**FEATURES:**

- Meets all state specifications for two-way, two-lane delineators.
- Polymer base **WILL NOT** crack or split.
- Three times the elasticity of conventional rubber bases.
- The **BOOMERANG** base transfers the stress from impacts to the base, giving longer service life to the HDPE tube.
- **BOOMERANG** is perfect for parking lots, islands, work zones, concrete barriers, gore zones and bridges.
- Posts available in 2.25" round, 3" flat and 3" round.

**GENERAL INFORMATION:**

*The measurements provided are intended only as a source of information. They are given without guarantee and are not classified as a warranty. A specification will be sent to you upon request.*



**MADE IN USA**



DISTRIBUTED BY HY-VIZ INC.  
 23A VREELAND STREET, LODI NJ 07644  
 PH. 973-478-1464 FAX 973-478-1943  
 WWW.HYVIZ.COM INFO@HYVIZ.COM

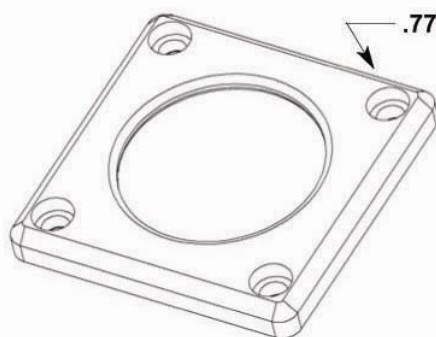
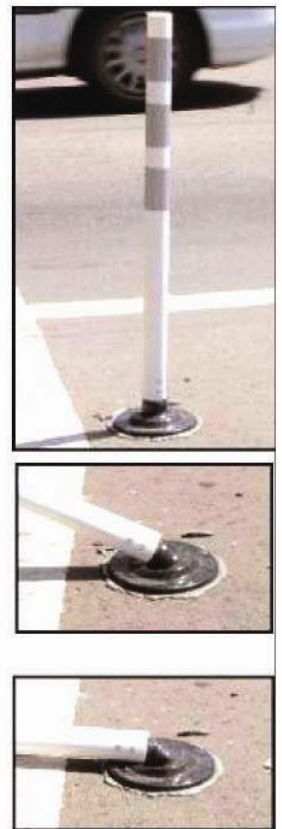
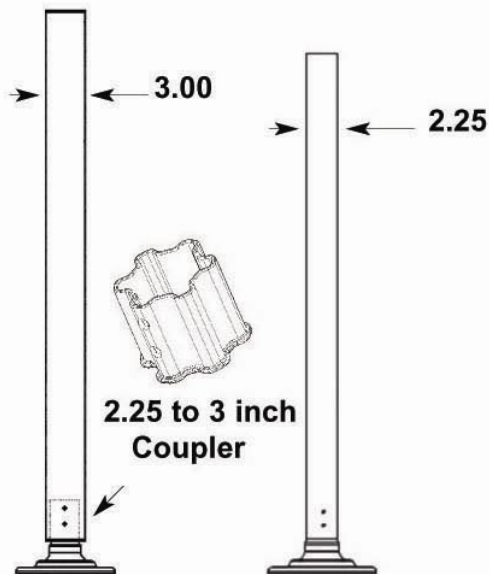
**MADE IN  
USA**

## **BOOMERANG™ SURFACE MOUNT REBOUNDABLE DELINATOR SPECIFICATIONS**

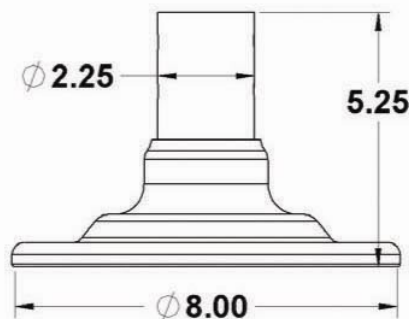
- **Dimensions of Tube:**  
 Tube Heights: 18, 24, 28, 36, 42 and 48 Inches.  
 Tube Width: 2.25", 3" Flat and 3"
- **BOOMERANG Delineator is a two-piece design consisting of a HDPE tube and reboundable base fastened together with two zinc-plated Hex Bolts and Nyloc Nuts.**
- **BOOMERANG RB for maximum flexibility of delineators, channelizers and markers;**  
**BOOMERANG HB for maximum reboundability & stability of tubes with signs or panels.**
- **Tube Colors: Fluorescent Orange, Yellow and White. Other colors available upon request.**
- **Tube Material: High Density Polyethylene.**
- **Base Colors: BOOMERANG RB clear base; BOOMERANG HB black base.**
- **Base Material: Specially Formulated Polymer.**
- **Bolt-Down Plate Material: ABS.**
- **NTPEP Report: 6015.1**
- **All sheeting complies with ASTM 4956.01 standards.**



**BOLT-DOWN ASSEMBLY**



**BOLT-DOWN PLATE**



**Surface Mount Ribs**